



Zebra® Planter

Planter with highly visible reflective strips.

**100%
Recycled
Plastic**

Recycled LMDPE
Waste containers
Reservoir tanks
Furniture.

Characteristics

Low maintenance.
Due to integrated water reservoir.

Stackable.
With a variety of height options.

High visibility night & day.
Due to retroreflective strips.

High resistance to weathering.
Due to the material used.

Made in.
UE.

**1st year of
Production.**
2016.

**Design
Registration.**
Ohim
003031186-0001

Designer.
Curro Claret.

**Production
Process.**
Rotational
Molding .

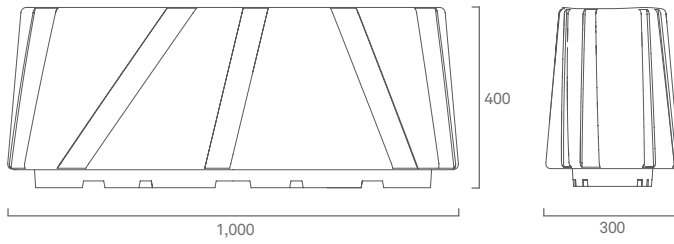


Individual Planter

Double Planter



Individual planter



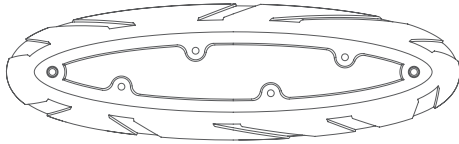
Weight 8 kg

Length 1,000 mm

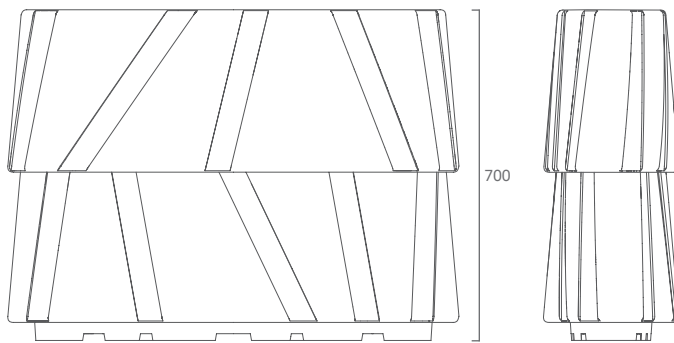
Height 400 mm

Width 300 mm

Colour Black



Double planter



Weight 16 kg

Length 1,000 mm

Height 700 mm

Width 300 mm

Colour Black

Features:

Recommended plants:

Sedums.
Ornamental grasses.

Soil Capacity:

30 litres.

Reservoir:

4 litres of water.

