



STADIUM RACK

The stadium rack combines the intuitive ease of bike docks, with the benefit of reduced installation from a multi-space rack. Modular in nature, the stadium racks can be connected and expanded to fit the given installation area. The stadium racks meets APBP guidelines for u-lock compatibility, bike spacing and providing two points of support for the bike.

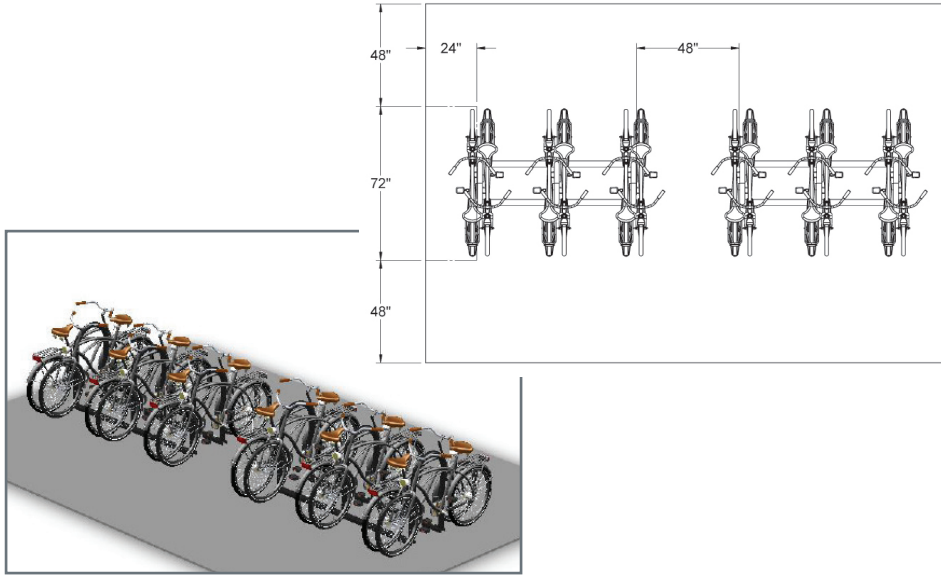


Specifications -2 3/8" schedule 40 steel pipe, 9 gauge							
Model #	# Bikes	Type of mount	weight	length	width	height	Space Requirement
2136	6	Freestand	154 lbs.	75"	21"	37.2"	146.75" x 72"
2138	8	Freestand	190 lbs.	110"	21"	37.2"	158.00" x 72"

Note: Saris Parking Systems representatives can assist with custom layout and spacing to meet your room dimensions and desired bike capacity.

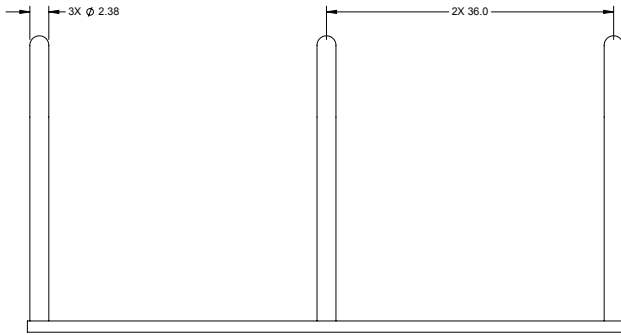
Stadium Rack

Recommended Spacing

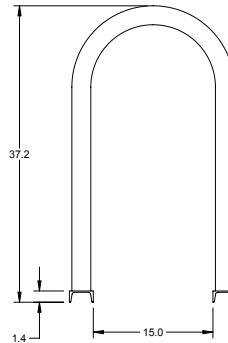


Product Details

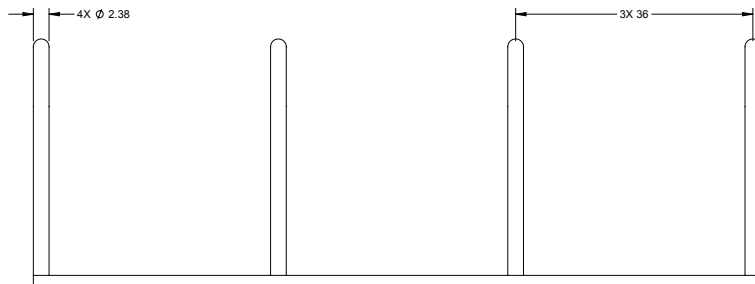
- Heavy duty, 2 3/8" outer diameter 9 gauge schedule 40 pipe
- No anchoring or assembly required, though anchoring holes are provided



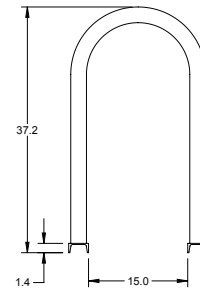
2136 shown



Standard Colors



2138 shown



Product Information

Saris Stadium Rack as manufactured by Saris



of Bikes

Varies from 6 bikes and up



Materials

2 3/8" round tube
3" x 1 1/2" c-channel



Finish

Powder Coat
Galvanized
Thermoplastic



Hardware

Can be freestanding or use recommended anchor: #6259 for concrete installation
#6267 for asphalt installation



Spacing

24" from wall or curb
48" recommended between racks

Anchors must be purchased separately

Downloadable product resources available online:



CAD Files



SketchUp Files



Written Specs



Photos