

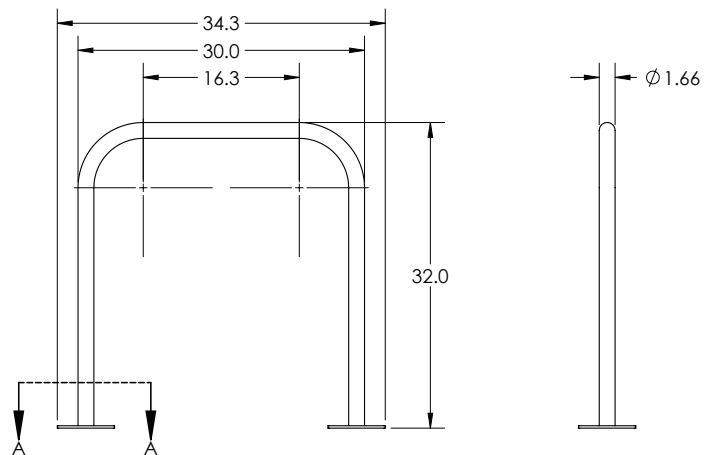


# BIKE DOCK

The bike dock is a simple and intuitive design that provides space efficient, high security bike parking. The bike dock accommodates two bikes, supporting them at two points and allowing for u-lock compatibility of both the wheel and bike frame.



## 6903



6903 Shown

Specifications - 1.66" electrowelded steel tubing, 12 gauge

Model #	# Bikes	Type of mount	weight	length	width	height	Space Requirement
6902	2	below grade	17 lbs.	30"	1.66"	32"	68" x 110"
6903	2	flange mount	19 lbs.	34.3"	6"	32"	68" x 110"

Specifications - 2 3/8" schedule 40 steel pipe, 9 gauge

Model #	# Bikes	Type of mount	weight	length	width	height	Space Requirement
2112	2	below grade	31 lbs.	30"	2.4"	32"	68" x 110"
2113	2	flange mount	30 lbs.	33.6"	6"	32"	68" x 110"

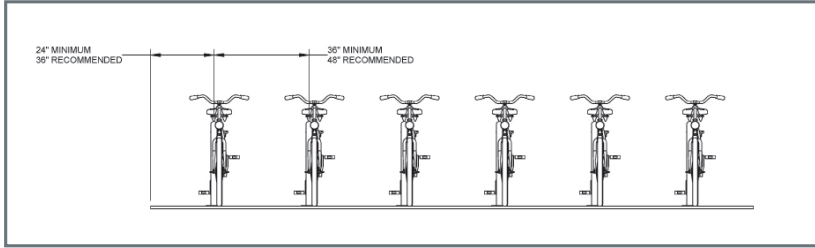
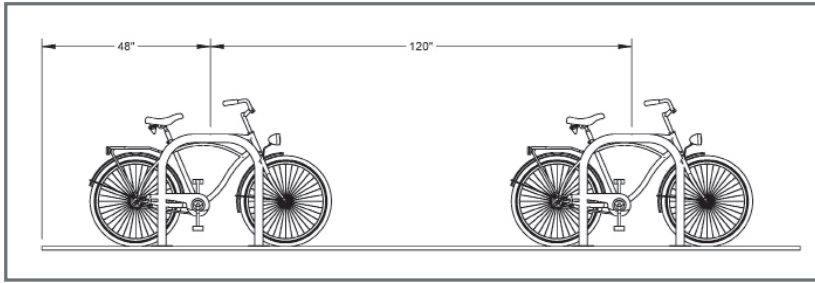
Specifications - 2" X 2" X 3/16" square tubing, 7 gauge

Model #	# Bikes	Type of mount	weight	length	width	height	Space Requirement
2212	2	below grade	38 lbs.	30"	2"	32"	68" x 110"
2213	2	flange mount	34 lbs.	34"	6"	32"	68" x 110"

**Note:** Saris Parking Systems representatives can assist with custom layout and spacing to meet your room dimensions and desired bike capacity.

# Bike Dock

## Recommended Spacing



## Product Details

- 1.66", 12 gauge schedule 40 pipe -- most affordable solution
- 2 3/8", 9 gauge schedule 40 pipe -- larger diameter pipe leaves less space between the lock and rack, which provides better security
- 2" square, 7 gauge schedule 40 pipe -- square tubing resists efforts from thieves using pipe cutters
- Offers 2 points of contact for bike stability
- Meets APBP guidelines



Product Information



# of Bikes



Materials



Finish



Hardware



Spacing

Saris Bike Dock as manufactured by Saris

2 bikes per rack

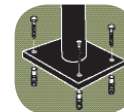
1.66", 12 gauge  
2 3/8" 9 gauge  
2" Square, 7 gauge

Powder Coat  
Galvanized  
Stainless Steel  
Thermoplastic

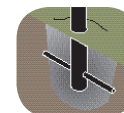
Flange Mount recommended anchor:  
Temporary Mount: #6263  
Permanent Mount: #6260

48" recommended between perpendicular racks  
120" recommended between racks (center to center)

Anchors must be purchased separately



Flange Mount

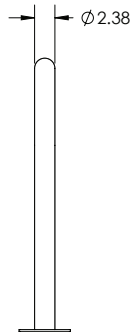
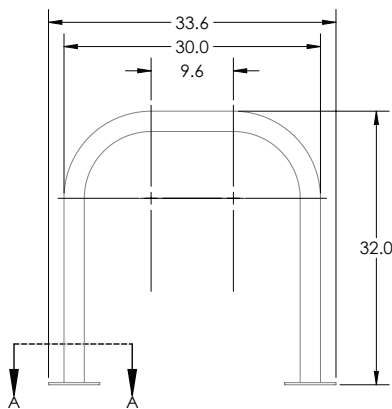


Below Grade Mount



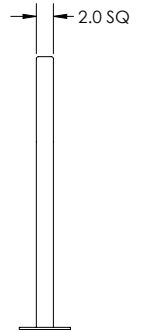
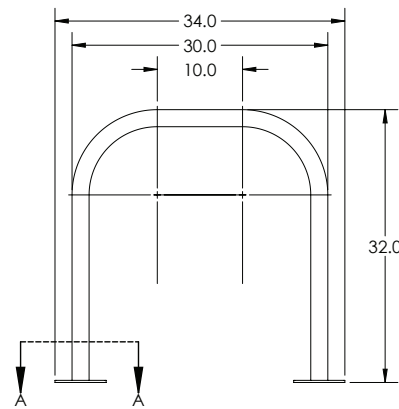
Standard Colors

## 2113



2113 Shown

## 2213



2213 Shown

Downloadable product resources available online:



CAD Files



SketchUp Files



Written Specs



Photos